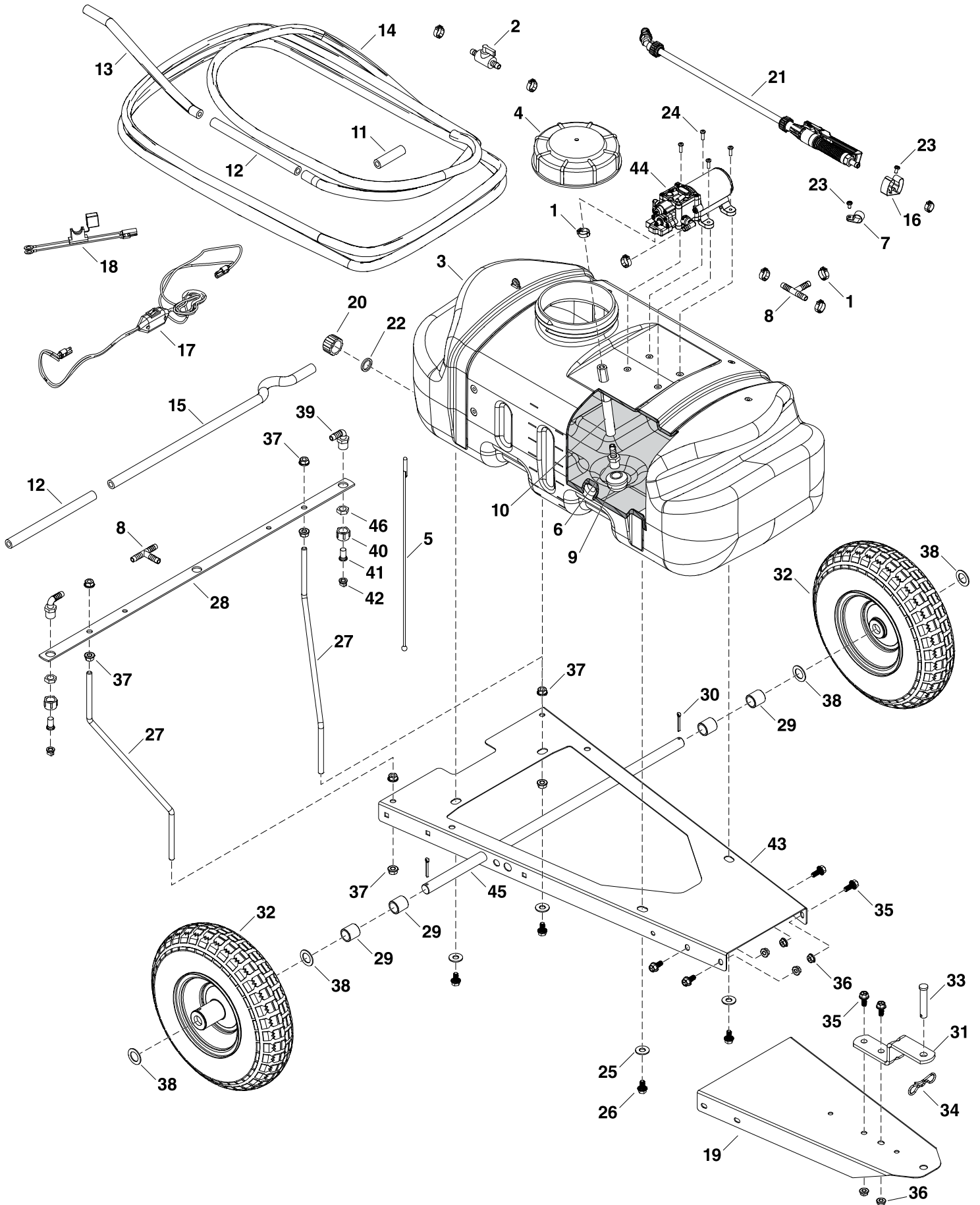


45-0615



45-0615

REF. NO.	PART NO.	QTY.	DESCRIPTION	REF. NO.	PART NO.	QTY.	DESCRIPTION
1	ST43652	8	HOSE CLAMP, 1/2"	26	ST65011	4	BOLT, FLANGE 5/16-18 X 5/8 GR
2	ST43014	1	IN LINE VALVE 3/8" BARB	27	ST43532	2	BOOM SUPPORT 45 TOW
3	2-880	1	15 GALLON TANK, DRILLED	28	ST43169BL3	1	CENTER BOOM
4	ST43175	1	TANK FILL CAP	29	44500	4	SPACER, .800ID X 1.00OD X 1.0
5	ST44017	1	LANYARD FOR TANK FILL CAP	30	41631	2	PIN, COTTER 5/32 X 1-1/4
6	ST43182	1	SUMP FITTING 3/8" BARB	31	23014BL1	1	BRACKET, HITCH
7	ST43191	1	HOSE HOLDER 3/8"	32	40939G	2	WHEEL, ASS'Y 3/4" ID (DRIVE)
8	ST43013	2	TEE 3/8" BARBS	33	ST43468	1	PIN, CLEVIS 1/2" X 2-1/2"
9	ST43258	1	SUMP STRAINER 3/8"	34	ST43623	1	BOWTIE CLIP, LARGE
10	2-337	1	HOSE, 3/8" X 14.75"	35	ST65007	6	BOLT, FLANGE 5/16-18 X 3/4 GR
11	2-317	1	HOSE, 3/8" X 2.5"	36	46584	6	NUT, HEX 5/16-18 WHIZ LOC
12	2-319	2	HOSE, 3/8" X 8.5"	37	44072	8	NUT, HEX 3/8-16 WHIZLOC
13	2-324	1	HOSE, 3/8" X 15.5"	38	1540-31	4	WASHER, .78 X 1.25 X .062
14	2-345	1	HOSE, 3/8" X 228"	39	ST43011	2	ELBOW 3/8" BARB TIP FITTING W
15	2-314	1	HOSE, 3/8" X 22"	40	ST43012	2	TIP FITTING CAP NUT
16	ST43287	1	SPRAY WAND HOLDER, LARGE	41	ST43016	2	SPRAY TIP SCREEN W/CHECK
17	ST43472	1	WIRE HARNESS, SWITCH	42	2-882	2	SPRAY TIP, 110 FLAT FAN, 0.4
18	ST43483	1	WIRE HARNESS, BATTERY	43	2-805BL3	1	MAIN FRAME
19	2-896BL3	1	HITCH TRIANGLE	44	ST43790	1	PUMP, REMCO 1.6 GPM 100 PSI
20	48719	1	CAP, 3/4" GHT	45	24615	1	AXLE, 3/4" DIA. (45-0293)
21	ST43238	1	SPRAY WAND WITH PLASTIC TIP	46	2-866	2	NUT, 11/16" NOZZLE RETAINING
22	ST43684	1	WASHER FOR DRAIN CAP	47	ST43314	2	CLIP, PLASTIC WIRE HARNESS*
23	46677	2	SCREW, 10-24 X 3/8 PL	48	3-131	1	LABEL, AGRI-FAB ORANGE*
24	ST65258	4	SCREW, PAN #10-24 X 5/8 PHIL.	49	MT3980	1	LABEL, WARNING - CHEMICAL HAZ*
25	43070	4	WASHER, .438 X 1 X .083	50	3-356	1	OWNERS MANUAL*

* Not Shown

ADDITIONAL SERVICE PARTS

PART NO.	DESCRIPTION
ST43124	SPRAY WAND VALVE/HANDLE
ST43515	SPRAY WAND EXTENSION
ST43295	SPRAY WAND PLASTIC TIP
ST50749	FUSE 32V 15AATO/ATC

SpeedPart *the fastest way to purchase parts* www.speedpart.com